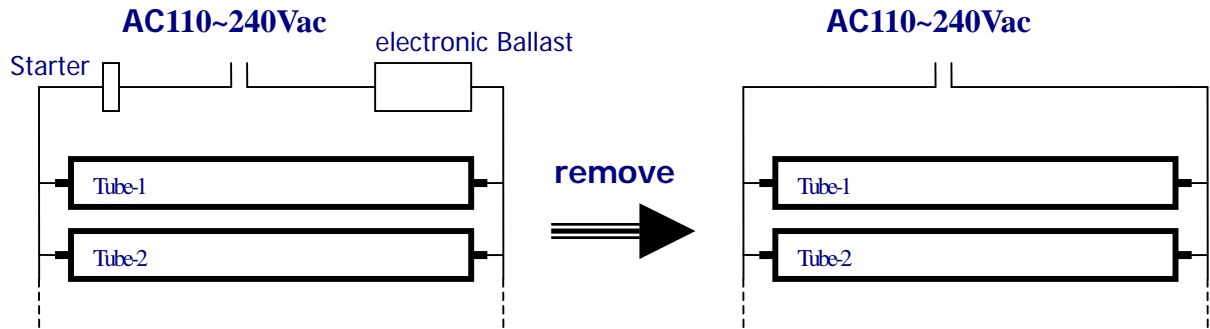
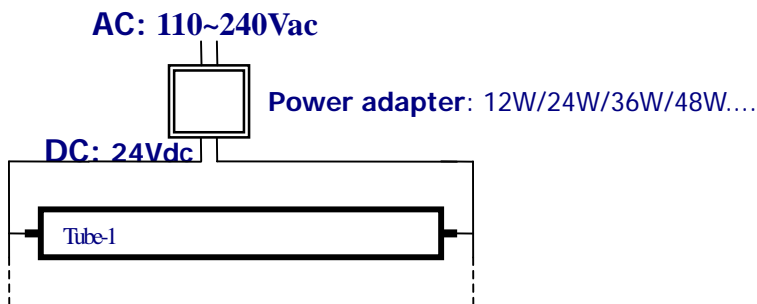


## LED Power adapter installation:

1. Power off and open the Lighting fixture
2. Check the lighting fixture have the Electronic Ballast and starter or not
3. Remove or short the Electronic Ballast and remove the starter



4. Install the power adapter before LED Tube installation:



➔ Please evaluate the power consumption for the lighting fixture, ex.: one 2ft LED Tube need 10 watt at least, so you can buy the power adapter 12W in the market, 2 tubes will be 24W, 3 tubes need 36W, 4 tubes need 48W...

5. Connect the 24Vdc output to LED Tube socket (1 to 2~4 → Parallel)
6. Close the fixture and power on to test your installation
7. Setup lighting fixture to your room and turn on your power again.

## The LED Tube installation with lighting fixture included Electronic Ballast:

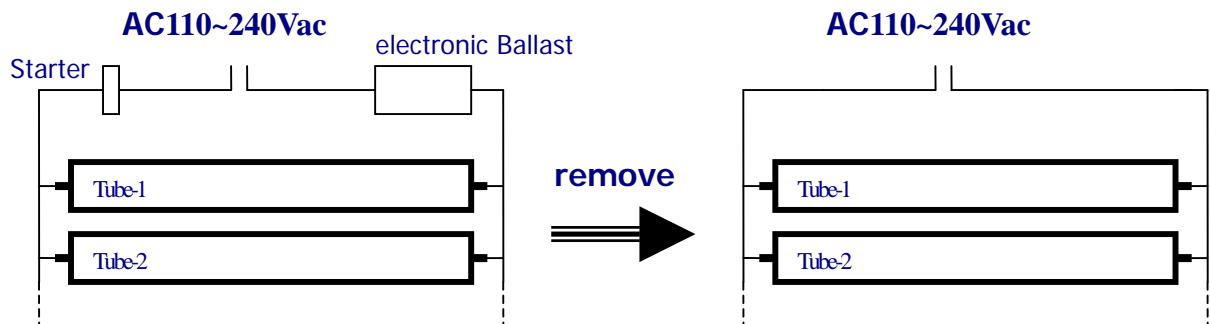
### INSTALLATION STEPS

**Step 1: Power off**

**Step 2: Take existing fluorescent tube**

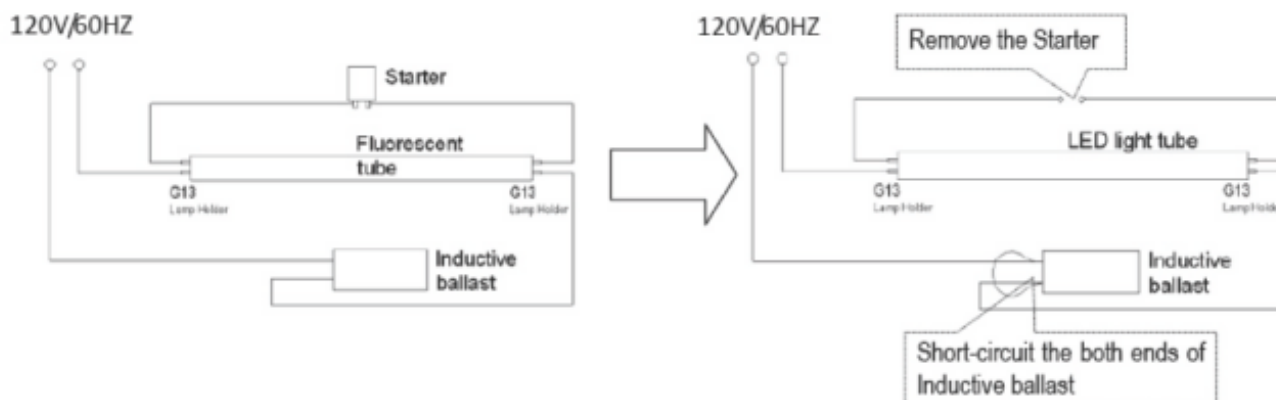
**Step 3: Disconnect the electronic ballast and reconnect the wires.(You might leave the ballast in fluorescent fixture or recycle it.)**

**Step 4: Install the LED fluorescent tube**

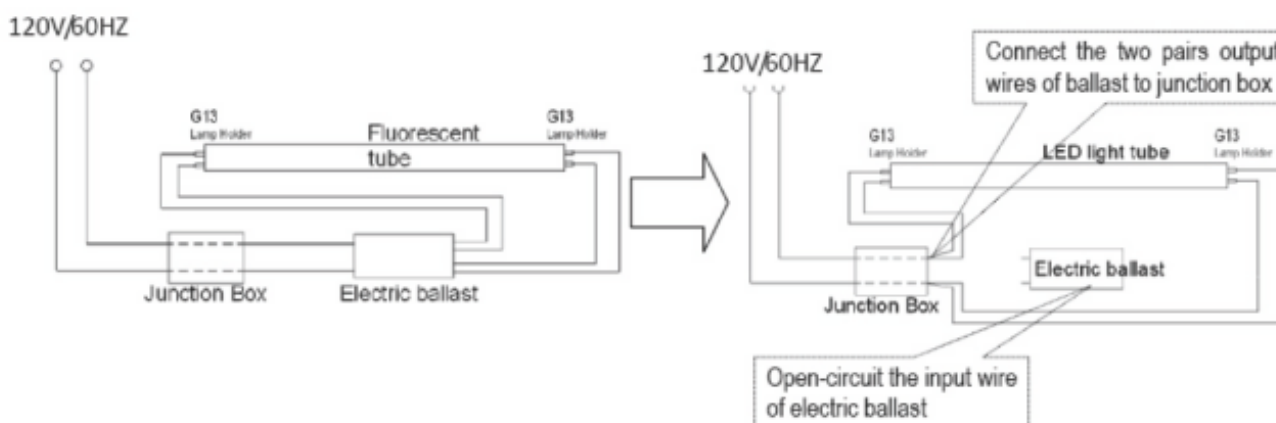


## Simple installation procedure

### ● Lamp bracket of inductive ballast :



### ● Lamp bracket of electronic ballast :



1. Disconnect power to the fluorescent fixture.
2. Twist and remove the fluorescent tube/tubes from the housing.
3. Open the housing to reveal the ballast & starter inside.
4. Remove starter.
5. Cut the wires connecting the ballast/starter to the G13 sockets.
6. Disconnect ballast from mains input wires.
7. Remove ballast.
8. Remove starter holder.
9. Connect both wires from one of the G13 sockets to one of the mains input wires.
10. Repeat the process for the opposite G13 socket, connecting to the other input wire.
11. Close the fixture.
12. Install the LED replacement tube. (Note: the LED T8 has reverse polarity protection).
13. Re-connect power.

